



FEATURES

- Converts snap track mount to DIN rail mount
- Economical

APPLICATIONS

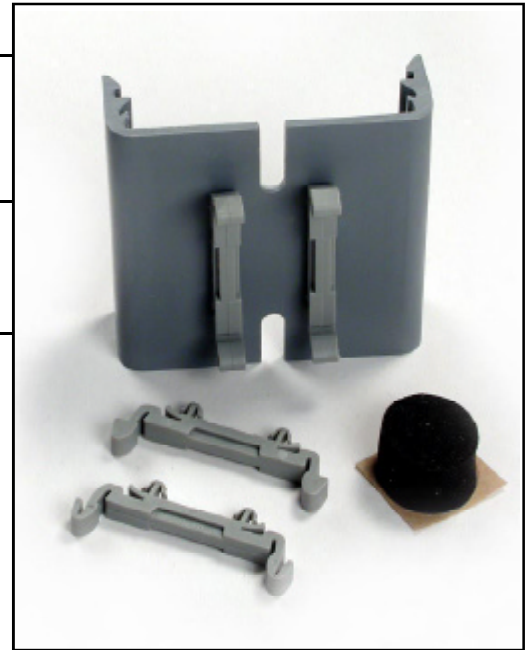
- Allows any product that mounts in snap track to be mounted on DIN rail where required

PRODUCT DESCRIPTION

The DRC DIN rail adapter kit consists of two flexible plastic DIN rail clips and an adhesive backed foam "stop".

Most ACT products are supplied with a snaptrack having prepunched holes to accommodate the DRC clips. The stems on the clips fit into the prepunched holes in the snaptrack and have flexible locking "wings" to prevent them from backing out once installed.

The supplied adhesive backed foam stop is used to prevent movement of the board in the snaptrack.



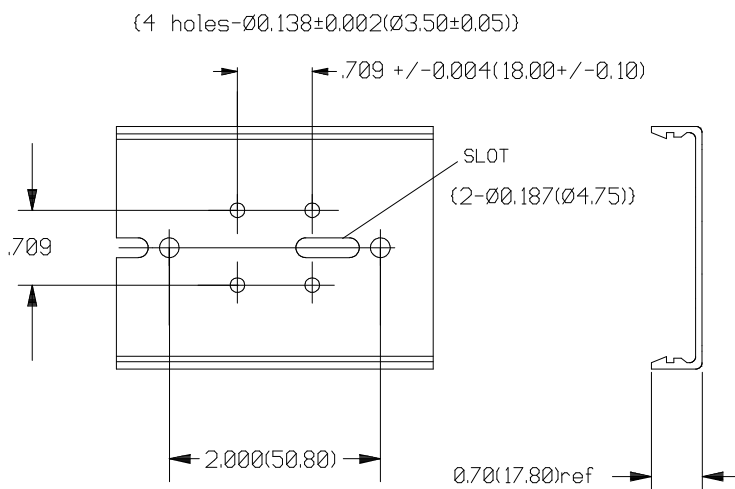
ORDERING INFORMATION

Specify: **DRC** _____

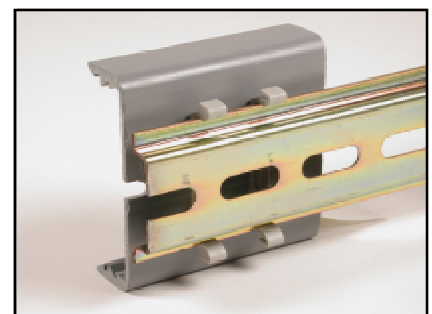
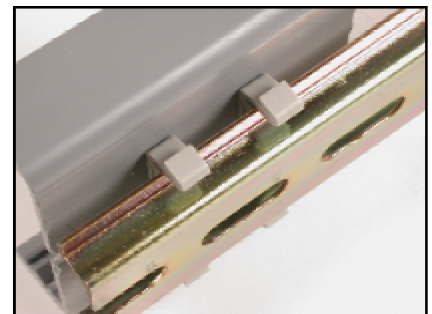
SPECIFICATIONS

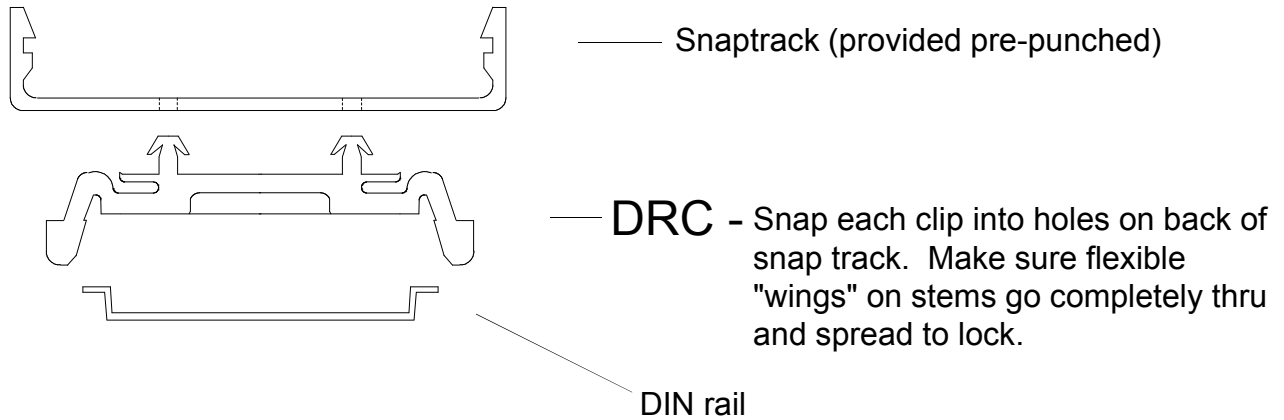
Dimensions

Hole spacing required in any other snaptrack



NOTE:
1. Dimensions: Inch (millimeter)





Product	Type	Features
DRC Kit	Two (2) Clips (per snaptrack)	Snap into pre-punched holes in back of snaptrack. Can be installed either direction for vertical <u>or</u> horizontal mounting. DRC and snap track assembly removes easily from DIN rail with screwdriver or pry tool. DRC can be removed if snap track mounting method changes. Place foam stop on snaptrack under terminal block leads to keep board from moving.

